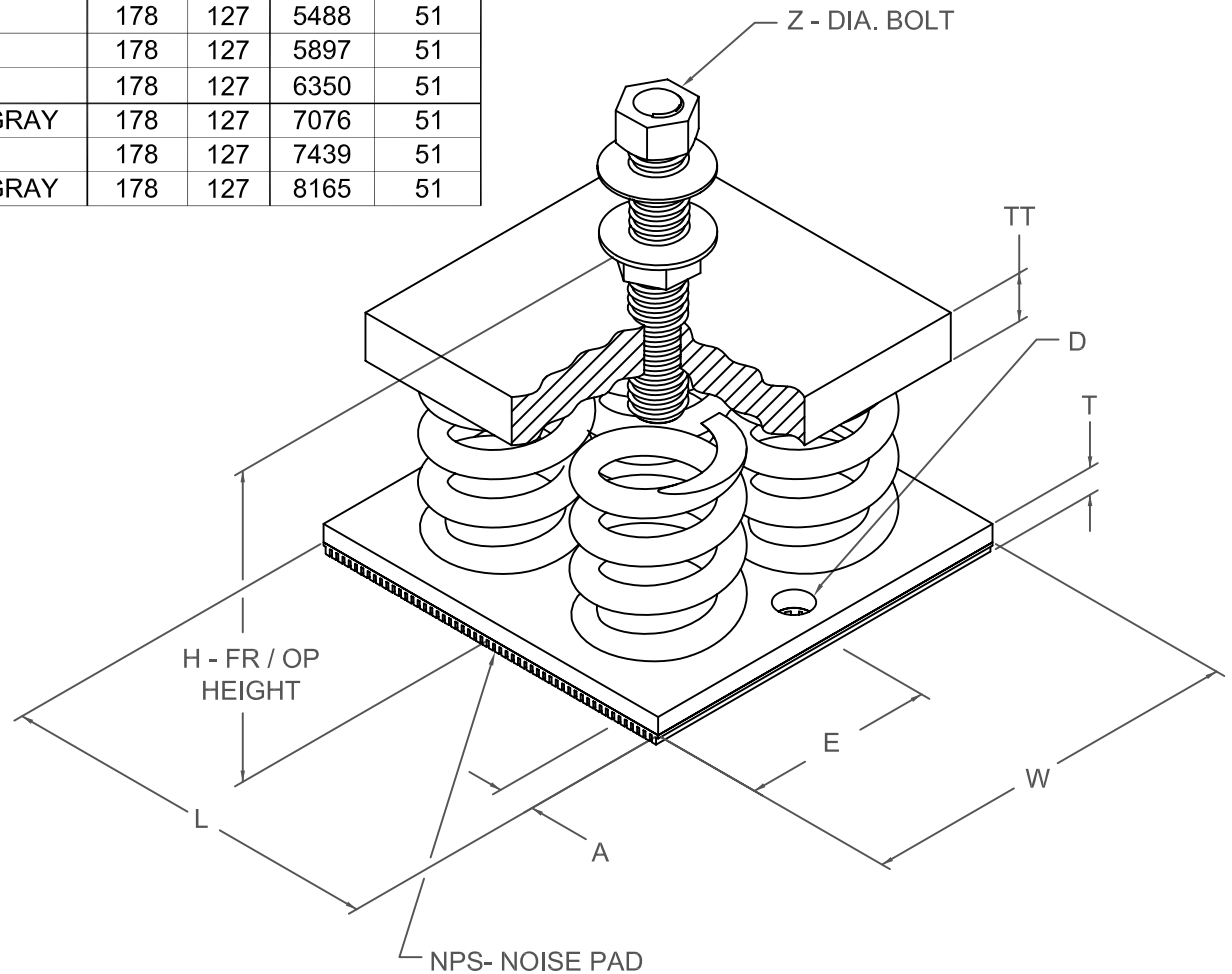


FDS 51 mm DEFLECTION ISOLATOR
S-I UNITS (mm AND kg)

TYPE	L	W	T	A	E	D	H	TT	Z
2-8000B/10000B	305	279	15	19	140	21	298	19	32
2-11000B/18000B	305	279	15	19	140	21	298	25	38

STANDARD RATINGS		SPRING COIL						
TYPE	SIZE	COLOR			FREE		RATED	
		OUTER	INNER1	INNER2	HT.	O.D.	LOAD	DEFL.
FDS	2-8000B	GRAY			178	127	3629	51
FDS	2-10000B	GRAY			178	127	4536	51
FDS	2-11000B	GRAY	GRAY		178	127	4990	51
FDS	2-12100B	GRAY	GRAY		178	127	5488	51
FDS	2-13000B	GRAY	GRAY		178	127	5897	51
FDS	2-14000B	GRAY	GRAY		178	127	6350	51
FDS	2-15600B	GRAY	GRAY	GRAY	178	127	7076	51
FDS	2-16400B	GRAY	GRAY		178	127	7439	51
FDS	2-18000B	GRAY	GRAY	GRAY	178	127	8165	51



SPECIFICATIONS:

- LOAD PLATES ARE AFFIXED TO COIL SPRINGS
- FREE STANDING COIL SPRING ISOLATOR
- PAINTED SPRING ELEMENTS
- OTHER METALLIC COMPONENTS BRIGHT ZINC PLATED
- MINIMUM OVERLOAD OF 50%
- MINIMUM Kx/Ky RATIO OF 1.0
- ALL ELEMENTS SAFE AT SOLID LOADING
- ALL THREADED MEMBERS ARE AMERICAN STANDARD



KINETICS NOISE CONTROL, INC
6300 IRELAN PL,
DUBLIN, OH 43017 USA
Ph: 614 889-0480, Fax: 614 889-0540
www.kineticsnoise.com

Model:
**FDS-2-
8000B/18000B**

By: **JMJ**
Date: **04/10/02**
Revised: **01/09/04 / JMJ**

Drawing No:
S-01.20-25(M)