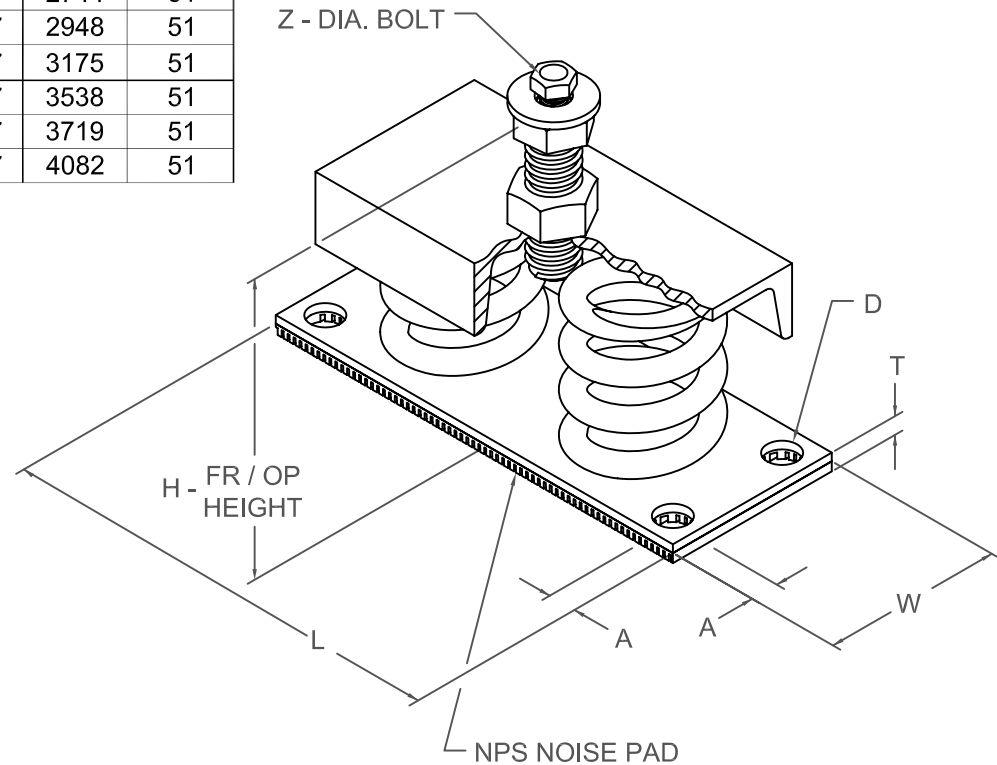


FDS 51 mm DEFLECTION ISOLATOR

S-I UNITS (mm AND kg)

| TYPE | L | W | T | A | D | H | Z |
|---------------|-----|-----|----|----|----|-----|----|
| 2-4000B/9000B | 356 | 152 | 15 | 16 | 17 | 235 | 13 |

| STANDARD RATINGS | | SPRING COIL | | | | | | |
|------------------|---------|-------------|--------|--------|------|------|-------|-------|
| TYPE | SIZE | COLOR | | | FREE | | RATED | |
| | | OUTER | INNER1 | INNER2 | HT. | O.D. | LOAD | DEFL. |
| FDS | 2-4000B | GRAY | | | 178 | 127 | 1814 | 51 |
| FDS | 2-5000B | GRAY | | | 178 | 127 | 2268 | 51 |
| FDS | 2-5500B | GRAY | GRAY | | 178 | 127 | 2495 | 51 |
| FDS | 2-6050B | GRAY | GRAY | | 178 | 127 | 2744 | 51 |
| FDS | 2-6500B | GRAY | GRAY | | 178 | 127 | 2948 | 51 |
| FDS | 2-7000B | GRAY | GRAY | | 178 | 127 | 3175 | 51 |
| FDS | 2-7800B | GRAY | GRAY | GRAY | 178 | 127 | 3538 | 51 |
| FDS | 2-8200B | GRAY | GRAY | | 178 | 127 | 3719 | 51 |
| FDS | 2-9000B | GRAY | GRAY | GRAY | 178 | 127 | 4082 | 51 |



SPECIFICATIONS:

- LOAD PLATES ARE AFFIXED TO COIL SPRING
- FREE STANDING COIL SPRING ISOLATOR
- PAINTED SPRING ELEMENT
- OTHER METALLIC COMPONENTS BRIGHT ZINC PLATED
- MINIMUM OVERLOAD OF 50%
- MINIMUM Kx/Ky RATIO OF 1.0
- ALL ELEMENTS SAFE AT SOLID LOADING
- ALL THREADED MEMBERS ARE AMERICAN STANDARD



KINETICS NOISE CONTROL, INC
 6300 IRELAN PL,
 DUBLIN, OH 43017 USA
 Ph: 614 889-0480, Fax: 614 889-0540
 www.kineticsnoise.com

Model:
FDS-2-4000B/9000B

By: **JMJ**
 Date: **04/18/02**
 Revised: **6/19/03 / JMJ**

Drawing No:
S-01.20-24(M)