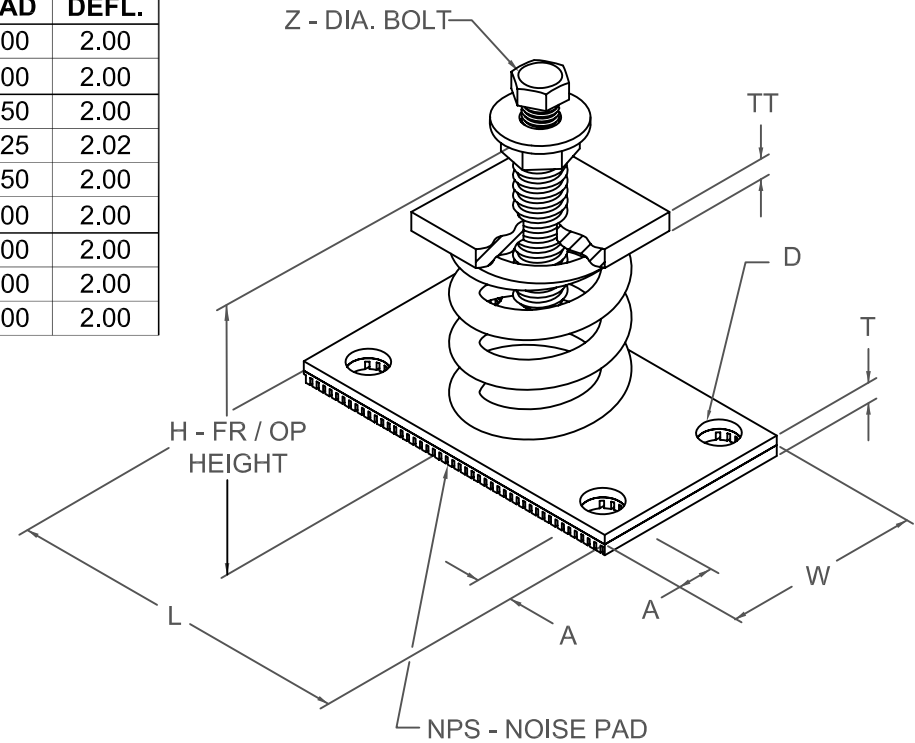


FDS 2" DEFLECTION ISOLATOR
IP UNITS (INCHES AND POUNDS)

TYPE	L	W	T	A	D	H	TT	Z
2-2000B/2500B	7.00	5.00	0.41	0.63	0.56	8.75	0.50	0.38
2-2750B/4500B	7.00	5.00	0.41	0.63	0.56	8.75	0.63	0.50

STANDARD RATINGS		SPRING COIL						
TYPE	SIZE	COLOR			FREE HT.	O.D.	RATED	
		OUTER	INNER1	INNER2			LOAD	DEFL.
FDS	2-2000B	GRAY			7.00	5.00	2000	2.00
FDS	2-2500B	GRAY			7.00	5.00	2500	2.00
FDS	2-2750B	GRAY	GRAY		7.00	5.00	2750	2.00
FDS	2-3025B	GRAY	GRAY		7.00	5.00	3025	2.02
FDS	2-3250B	GRAY	GRAY		7.00	5.00	3250	2.00
FDS	2-3500B	GRAY	GRAY		7.00	5.00	3500	2.00
FDS	2-3900B	GRAY	GRAY	GRAY	7.00	5.00	3900	2.00
FDS	2-4100B	GRAY	GRAY		7.00	5.00	4100	2.00
FDS	2-4500B	GRAY	GRAY	GRAY	7.00	5.00	4500	2.00



SPECIFICATIONS:

- LOAD PLATES ARE AFFIXED TO COIL SPRING
- FREE STANDING COIL SPRING ISOLATOR
- PAINTED SPRING ELEMENT
- OTHER METALLIC COMPONENTS BRIGHT ZINC PLATED
- MINIMUM OVERLOAD OF 50%
- MINIMUM Kx/Ky RATIO OF 1.0
- ALL ELEMENTS SAFE AT SOLID LOADINGT
- ALL THREADED MEMBERS ARE AMERICAN STANDARD



KINETICS NOISE CONTROL, INC
6300 IRELAN PL,
DUBLIN, OH 43017 USA
Ph: 614 889-0480, Fax: 614 889-0540
www.kineticsnoise.com

Model:
**FDS-2-
2000B/4500B**

By: **JMJ**
Date: **04/17/02**
Revised: **6/19/03 / JMJ**

Drawing No:
S-01.20-23