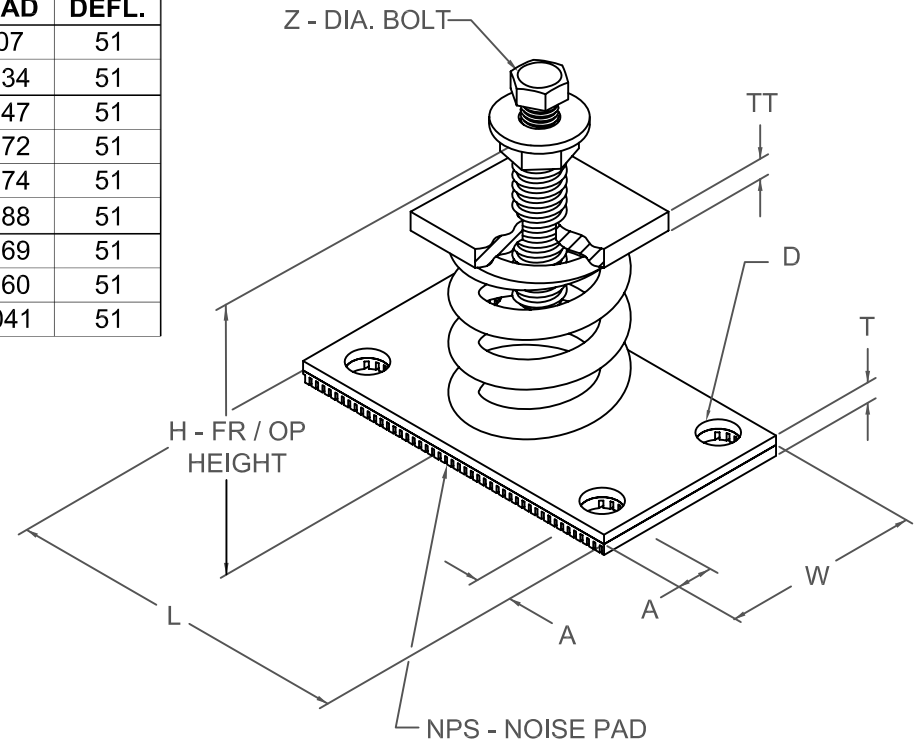


FDS 51 mm DEFLECTION ISOLATOR
S-I UNITS (mm AND kg)

TYPE	L	W	T	A	D	H	TT	Z
2-2000B/2500B	178	127	10	16	14	222	13	10
2-2750B/4500B	178	127	10	16	14	222	16	13

STANDARD RATINGS		SPRING COIL						
TYPE	SIZE	COLOR			FREE	RATED		DEFL.
		OUTER	INNER1	INNER2	HT.	O.D.	LOAD	
FDS	2-2000B	GRAY			178	127	907	51
FDS	2-2500B	GRAY			178	127	1134	51
FDS	2-2750B	GRAY	GRAY		178	127	1247	51
FDS	2-3025B	GRAY	GRAY		178	127	1372	51
FDS	2-3250B	GRAY	GRAY		178	127	1474	51
FDS	2-3500B	GRAY	GRAY		178	127	1588	51
FDS	2-3900B	GRAY	GRAY	GRAY	178	127	1769	51
FDS	2-4100B	GRAY	GRAY		178	127	1860	51
FDS	2-4500B	GRAY	GRAY	GRAY	178	127	2041	51



SPECIFICATIONS:

- LOAD PLATES ARE AFFIXED TO COIL SPRING
- FREE STANDING COIL SPRING ISOLATOR
- PAINTED SPRING ELEMENT
- OTHER METALLIC COMPONENTS BRIGHT ZINC PLATED
- MINIMUM OVERLOAD OF 50%
- MINIMUM Kx/Ky RATIO OF 1.0
- ALL ELEMENTS SAFE AT SOLID LOADING
- ALL THREADED MEMBERS ARE AMERICAN STANDARD



KINETICS NOISE CONTROL, INC
6300 IRELAN PL,
DUBLIN, OH 43017 USA
Ph: 614 889-0480, Fax: 614 889-0540
www.kineticsnoise.com

Model:
**FDS-2-
2000B/4500B**

By: **JMJ**
Date: **04/17/02**
Revised: **6/19/03 / JMJ**

Drawing No:
S-01.20-23(M)