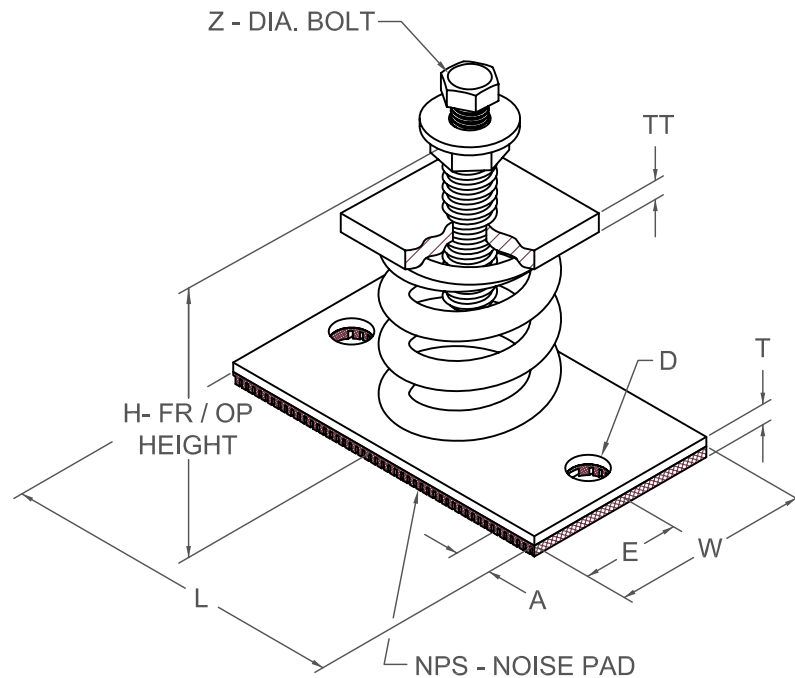


FDS 51 mm DEFLECTION ISOLATOR

S-I UNITS (mm AND kg)

TYPE	L	W	T	A	E	D	H	TT	Z
2-100B/1975B	178	102	10	19	51	17	191	10	10

STANDARD RATINGS		SPRING COIL					
TYPE	SIZE	COLOR		FREE		RATED	
		OUTER	INNER	HT.	O.D.	LOAD	DEFL.
FDS	2-100B	GRAY		155	89	45	51
FDS	2-135B	GRAY		155	89	61	51
FDS	2-185B	GRAY		155	89	84	51
FDS	2-225B	GRAY	GRAY	155	89	102	51
FDS	2-250B	GRAY		155	89	113	51
FDS	2-375B	GRAY	GRAY	155	89	170	51
FDS	2-500B	GRAY		155	89	227	51
FDS	2-625B	GRAY	GRAY	155	89	283	51
FDS	2-750B	GRAY		155	89	340	51
FDS	2-875B	GRAY	GRAY	155	89	397	51
FDS	2-995B	GRAY		155	89	451	51
FDS	2-1120B	GRAY	GRAY	155	89	508	51
FDS	2-1400B	GRAY	GRAY	155	89	635	51
FDS	2-1600B	GRAY		155	89	726	51
FDS	2-1975B	GRAY	GRAY	155	89	896	50



SPECIFICATIONS:

- LOAD PLATES ARE AFFIXED TO COIL SPRING
- FREE STANDING COIL SPRING ISOLATOR
- PAINTED SPRING ELEMENT
- OTHER METALLIC COMPONENTS BRIGHT ZINC PLATED
- MINIMUM OVERLOAD OF 50%
- MINIMUM Kx/Ky RATIO OF 1.0
- ALL ELEMENTS SAFE AT SOLID LOADING
- ALL THREADED MEMBERS ARE AMERICAN STANDARD



KINETICS NOISE CONTROL, INC
 6300 IRELAN PL,
 DUBLIN, OH 43017 USA
 Ph: 614 889-0480, Fax: 614 889-0540
 www.kineticsnoise.com

Model:
**FDS-2-
 100B/1975B**

By: **JMJ**
 Date: **04/16/02**
 Revised: **07/21/05 / BB**

Drawing No:
S-01.20-22(M)