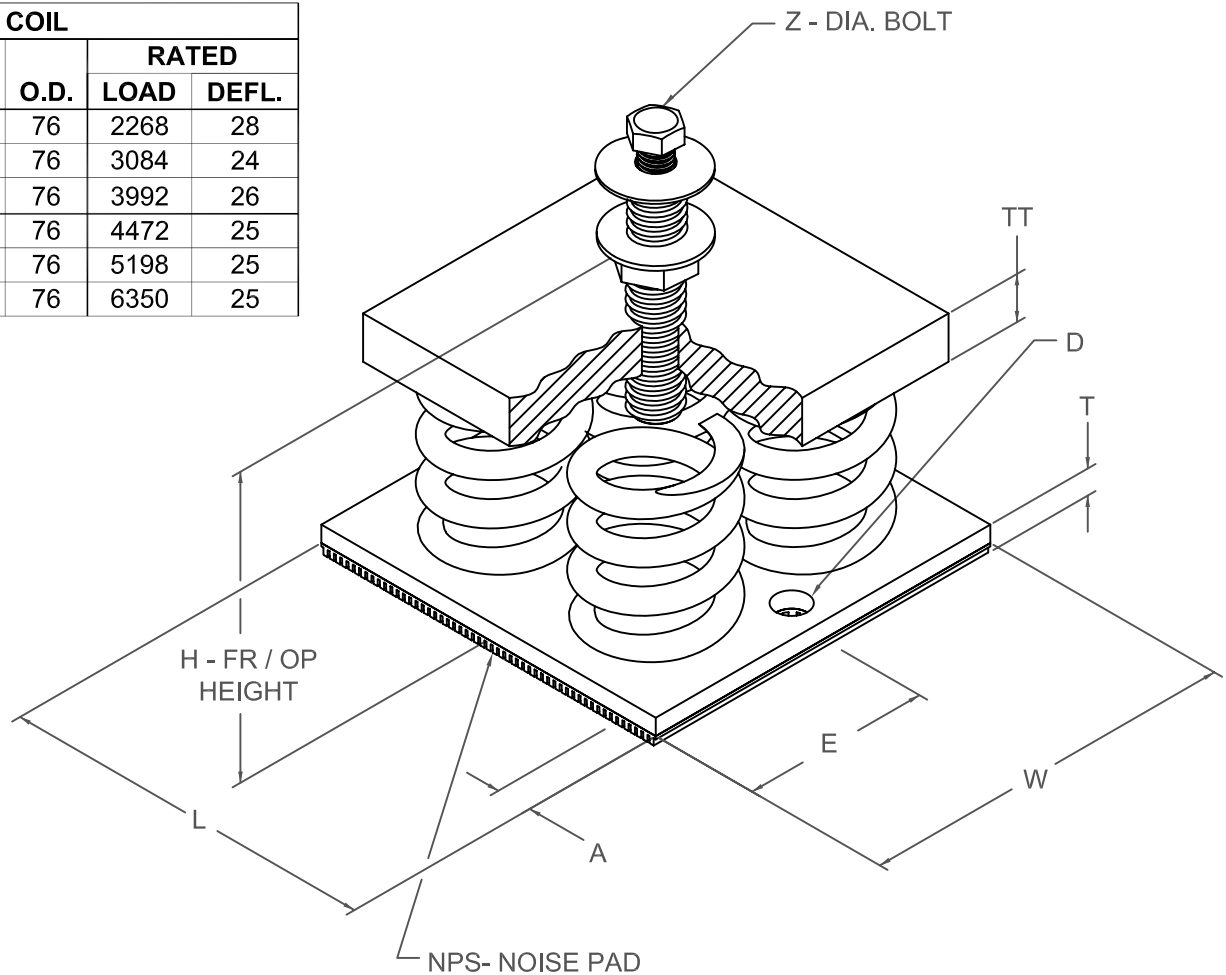


FDS 25 mm DEFLECTION ISOLATOR

S-I UNITS (mm AND kg)

TYPE	L	W	T	A	E	D	H	TT	Z
1-5000B/8800B	203	203	15	19	102	17	175	25	13
1-9860B/14000B	203	203	15	19	102	17	175	25	16

STANDARD RATINGS		SPRING COIL					
TYPE	SIZE	COLOR		FREE		RATED	
		OUTER	INNER	HT.	O.D.	LOAD	DEFL.
FDS	1-5000B	GRAY		107	76	2268	28
FDS	1-6800B	GRAY		107	76	3084	24
FDS	1-8800B	GRAY	GRAY	107	76	3992	26
FDS	1-9860B	GRAY		107	76	4472	25
FDS	1-11460B	GRAY	GRAY	107	76	5198	25
FDS	1-14000B	GRAY	GRAY	107	76	6350	25



SPECIFICATIONS:

- LOAD PLATES ARE AFFIXED TO COIL SPRINGS
- FREE STANDING COIL SPRING ISOLATOR
- PAINTED SPRING ELEMENTS
- OTHER METALLIC COMPONENTS BRIGHT ZINC PLATED
- MINIMUM OVERLOAD OF 50%
- MINIMUM Kx/Ky RATIO OF 1.0
- ALL ELEMENTS SAFE AT SOLID LOADING
- ALL THREADED MEMBERS ARE AMERICAN STANDARD



KINETICS NOISE CONTROL, INC
 6300 IRELAN PL,
 DUBLIN, OH 43017 USA
 Ph: 614 889-0480, Fax: 614 889-0540
 www.kineticsnoise.com

Model:
**FDS-1-
 5000B/14000B**

By: **JMJ**
 Date: **04/09/02**
 Revised: **6/19/03 / JMJ**

Drawing No:
S-01.20-14(M)