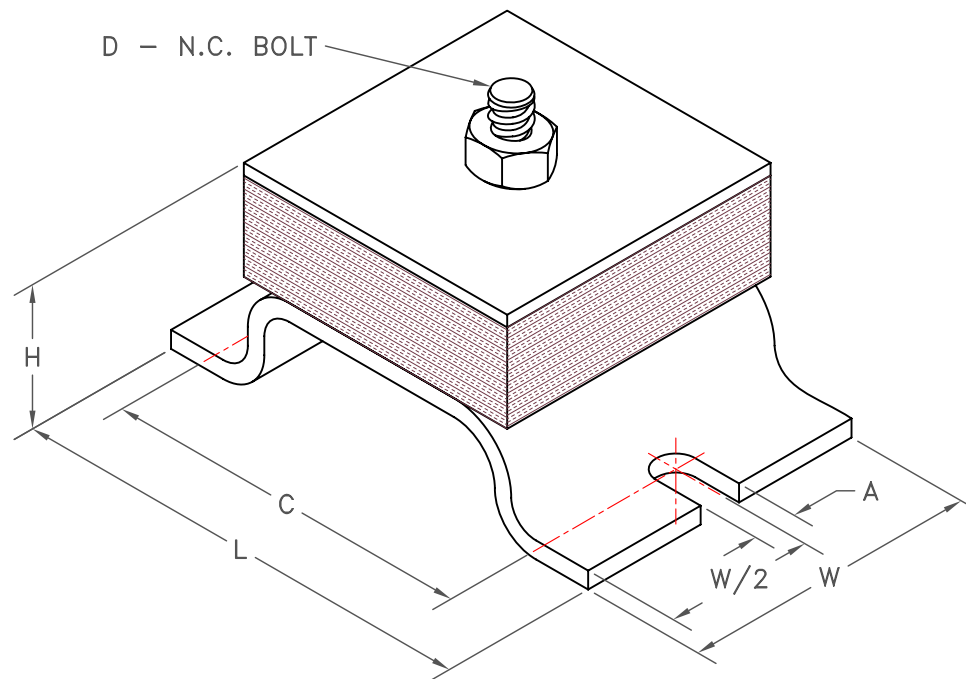


AC FIBERGLASS ISOLATION MOUNT

I-P UNITS (INCHES AND POUNDS)

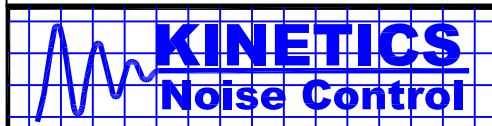
TYPE	A	C	D	H	L	W
AC-221	0.44	3.75	0.38	2.25	4.75	2.50
AC-222	0.44	3.75	0.38	3.25	4.75	2.50
AC-331	0.44	3.75	0.38	2.25	4.75	3.00
AC-332	0.44	3.75	0.38	3.25	4.75	3.00

STANDARD RATINGS		CAPACITY	MAX
TYPE	SIZE	RANGE	DEFL.
AC	221L	40-200	0.27
AC	221Q	100-400	0.18
AC	222G	20-100	0.69
AC	222L	40-200	0.54
AC	222Q	100-400	0.36
AC	331L	90-450	0.35
AC	331Q	225-900	0.27
AC	332L	90-450	0.70
AC	332Q	225-900	0.54
AC	332R	665-2665	0.23



SPECIFICATIONS:

- FIBERGLASS ISOLATION ELEMENT IS NEOPRENE COATED.
- ISOLATORS CAN BE BOLTED TOP AND BOTTOM.
- ALL HARDWARE TO BE ZINC PLATED.
- BASE BRACKET IS ZINC PLATED.



KINETICS NOISE CONTROL, INC
 6300 IRELAN PL,
 DUBLIN, OH 43017 USA
 Ph: 614 889-0480, Fax: 614 889-0540
 www.kineticsnoise.com

Model:
 AC MOUNT

By: BB
 Date: 03/03/05
 Revised: /

Drawing No:
 S-11.10-1A